



LED WATERPROOF MODULE SERIES

24V SIGNAGE LIGHTING SOLUTIONS



PIXEL LIGHT

FRL R/G/B/W/RGB/RGBW/RGBA SERIES

CHANNEL LETTERS/COVE LIGHTING/BOX SIGNS/LANDSCAPE LIGHTING

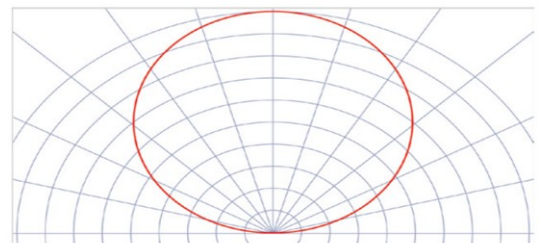
FRL Series (R/G/B/W/RGB/RGBW/RGBA) is a widely application product in building facade, contour shape of building, bridge, hotel, shopping mall, park, garden, river way as a landscape lighting design, Simple but elegant luminous design 120° lighting angle, seamless connection. The product is operated by DMX control for different scenes setting, special wire crimping technology can minimized voltage drop in long-distance string.

PRODUCT RATINGS

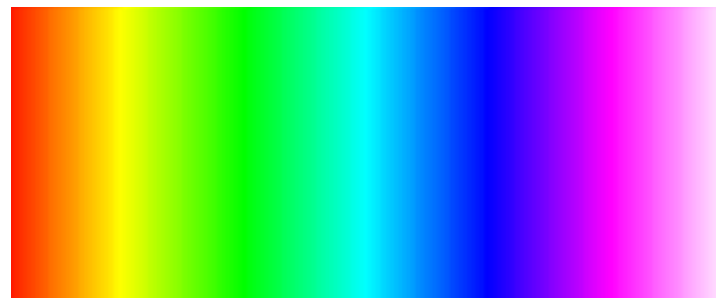
Operating Voltage	24VDC
Color Option	R/G/B/W/RGB/RGBW/RGBA
Wattage per Module	1.32W-2.0W per Moudle
Control Mode	DMX512
Power Supply Loading	68-45 modules per 100W
Installation	AI. PANEL
L70 Lifetime @ 60° C	50,000 hours
Ingress Protection	IP66
Operating Temperature	-40° — +60° C
Warranty	2 Year Limited Warranty

LUMINOUS INTENSITY DISTRIBUTION

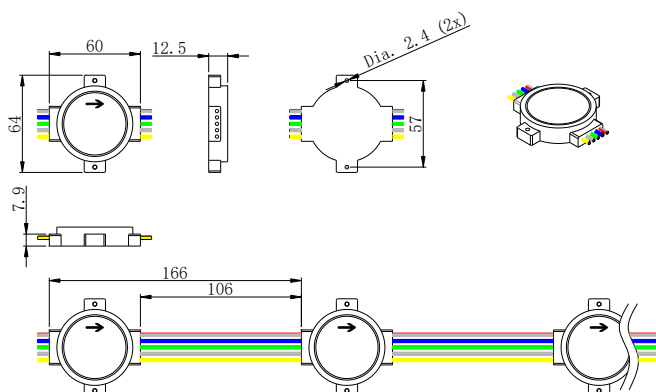
Batwing Beam Pattern (beam angle: 120°)



COLOR TEMPERATURE SCALE

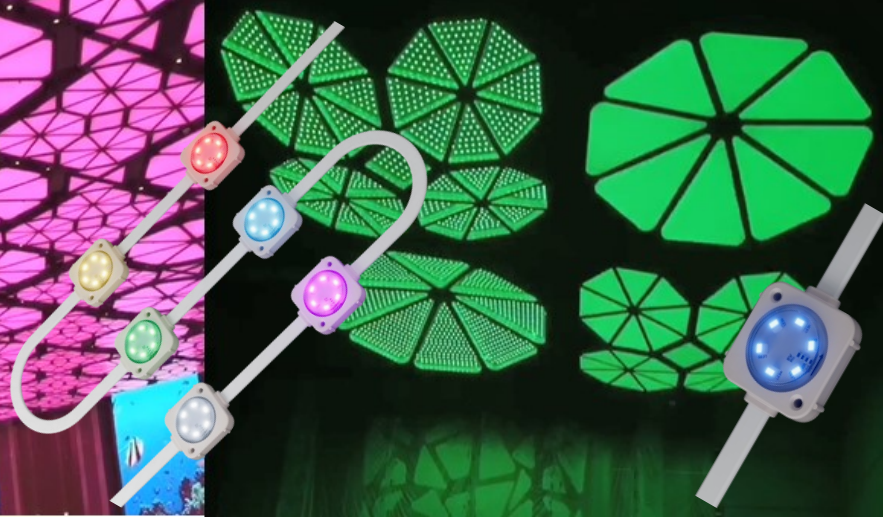


DIMENSIONS



PIXEL LIGHT

FRM R/G/B/W/RGB/RGBW/
RGBA SERIES



CHANNEL LETTERS/COVE LIGHTING/BOX SIGNS/LANDSCAPE LIGHTING

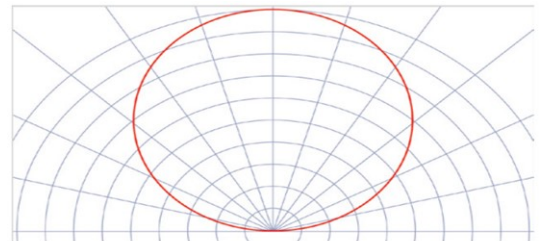
FRM Series (R/G/B/W/RGB/RGBW/RGBA) is a widely application product in building facade, contour shape of building ,bridge, hotel, shopping mall, park, garden, river way as a landscape lighting design, Simple but elegant luminous design 120° lighting angle, seamless connection. The product is operated by DMX control for different scenes setting, special wire crimping technology can minimized voltage drop in long-distance string.

PRODUCT RATINGS

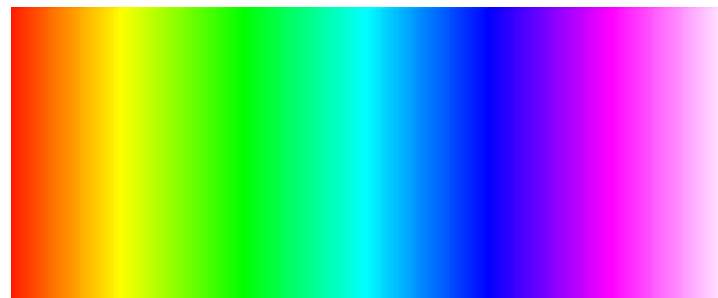
Operating Voltage	24VDC
Color Option	R/G/B/W/RGB/RGBW/RGBA
Wattage per Module	1.32W-1.8W per Moudle
Control Mode	DMX512
Power Supply Loading	68-50 modules per 100W
Installation	AI. PANEL
L70 Lifetime @ 60° C	50,000 hours
Ingress Protection	IP66
Operating Temperature	-40° — +60° C
Warranty	2 Year Limited Warranty

LUMINOUS INTENSITY DISTRIBUTION

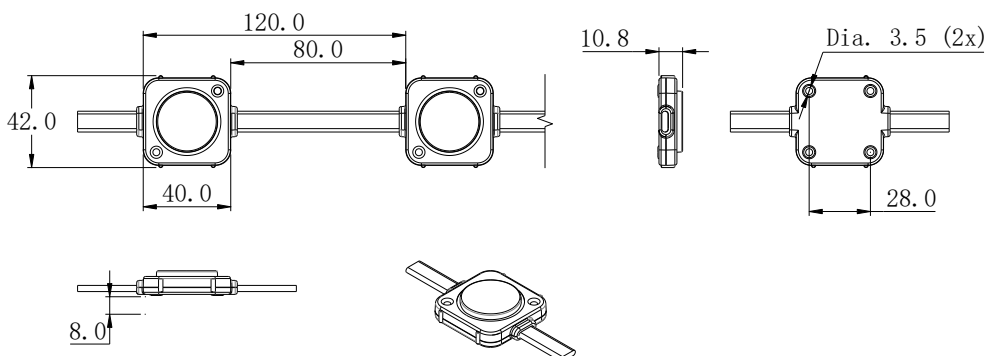
Batwing Beam Pattern (beam angle: 120°)



COLOR TEMPERATURE SCALE



DIMENSIONS





PIXEL LIGHT

FRS R/G/B/W/RGB/RGBW/RGBA SERIES

CHANNEL LETTERS/COVE LIGHTING/BOX SIGNS/LANDSCAPE LIGHTING

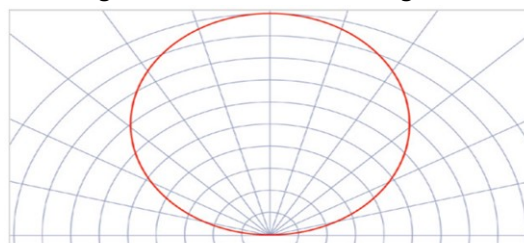
FRS Series (R/G/B/W/RGB/RGBW/RGBA) is a widely application product in building facade, contour shape of building, bridge, hotel, shopping mall, park, garden, river way as a landscape lighting design, Simple but elegant luminous design 120° lighting angle, seamless connection. The product is operated by DMX control for different scenes setting, special wire crimping technology can minimized voltage drop in long-distance string.

PRODUCT RATINGS

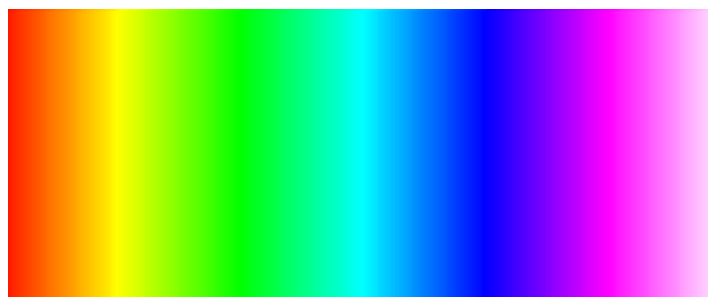
Operating Voltage	24VDC
Color Option	R/G/B/W/RGB/RGBW/RGBA
Wattage per Module	1.2W-1.5W per Moudle
Control Mode	DMX512
Power Supply Loading	75-60 modules per 100W
Installation	AI. PANEL
L70 Lifetime @ 60° C	50,000 hours
Ingress Protection	IP66
Operating Temperature	-40° — +60° C
Warranty	2 Year Limited Warranty

LUMINOUS INTENSITY DISTRIBUTION

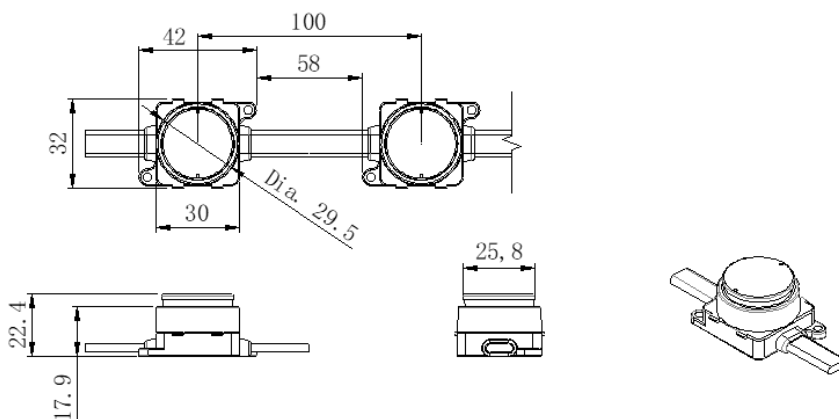
Batwing Beam Pattern (beam angle: 120°)



COLOR TEMPERATURE SCALE



DIMENSIONS



PIXEL LIGHT

FRVS R/G/B/W/RGB/RGBW/
RGBA SERIES

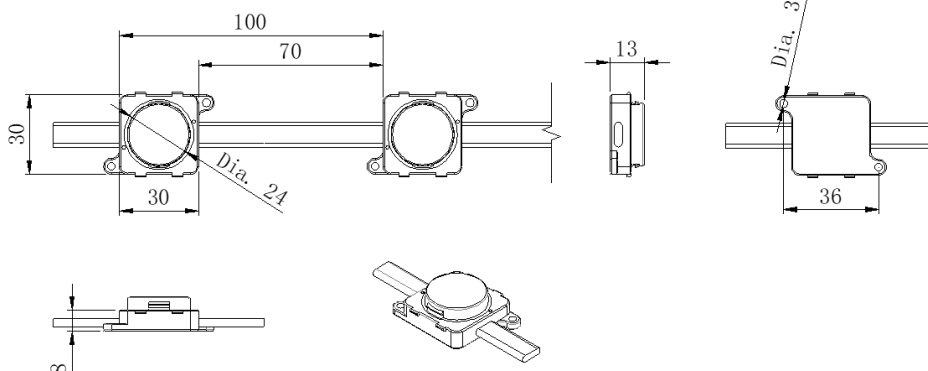
CHANNEL LETTERS/COVE LIGHTING/BOX SIGNS/LANDSCAPE LIGHTING

FRVS Series (R/G/B/W/RGB/RGBW/RGBA) is a widely application product in building facade, contour shape of building ,bridge, hotel, shopping mall, park, garden, river way as a landscape lighting design, Simple but elegant luminous design 120° lighting angle, seamless connection. The product is operated by DMX control for different scenes setting, special wire crimping technology can minimized voltage drop in long-distance string.

PRODUCT RATINGS

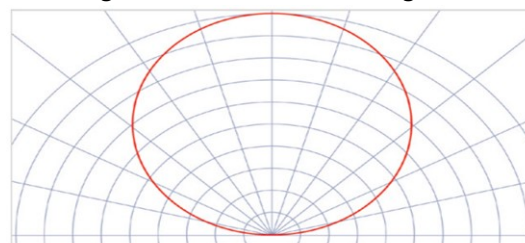
Operating Voltage	24VDC
Color Option	R/G/B/W/RGB/RGBW/RGBA
Wattage per Module	0.8W-1.0W per Moudle
Control Mode	DMX512
Power Supply Loading	110-100 modules per 100W
Installation	Al. PANEL
L70 Lifetime @ 60° C	50,000 hours
Ingress Protection	IP66
Operating Temperature	-40° — +60° C
Warranty	2 Year Limited Warranty

DIMENSIONS

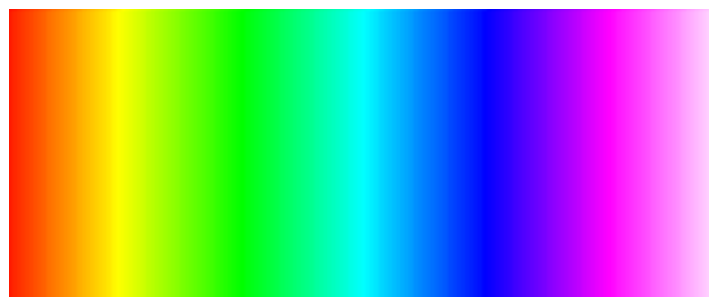


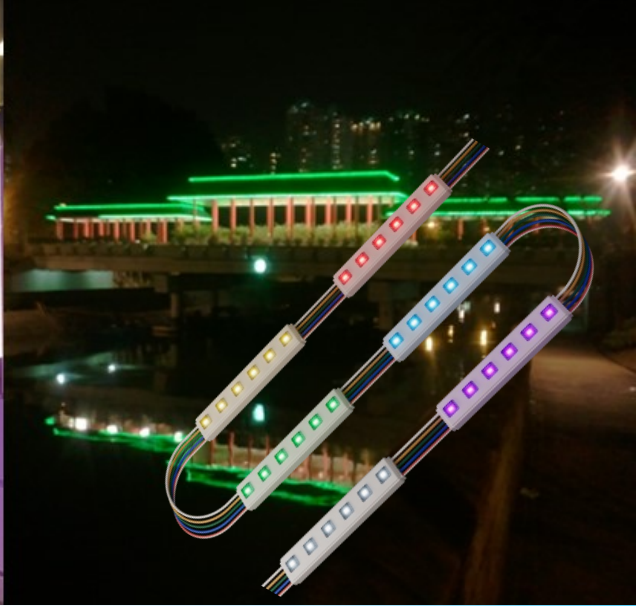
LUMINOUS INTENSITY DISTRIBUTION

Batwing Beam Pattern (beam angle: 120°)



COLOR TEMPERATURE SCALE





LINEAR LIGHT

FLL R/G/B/W/RGB/RGBW/RGBA SERIES

CHANNEL LETTERS/COVE LIGHTING/BOX SIGNS/LANDSCAPE LIGHTING

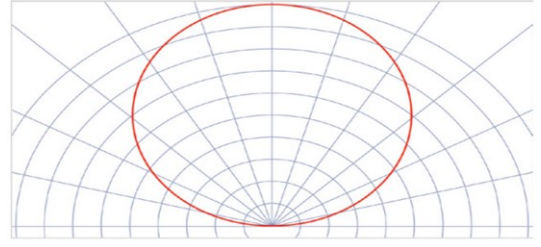
FLL Series(R/G/B/W/RGB/RGBW/RGBA) is a widely application product in building facade, contour shape of building ,bridge, hotel, shopping mall, park, garden, river way as a landscape lighting design, Simple but elegant luminous design 120° lighting angle, seamless connection. The product is operated by DMX control for different scenes setting, special wire crimping technology can minimized voltage drop in long-distance string.

PRODUCT RATINGS

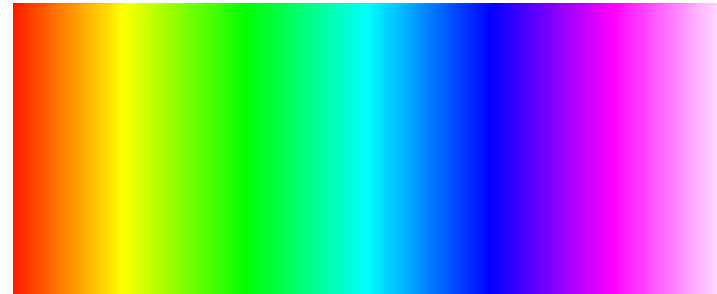
Operating Voltage	24VDC
Color Option	R/G/B/W/RGB/RGBW/RGBA
Wattage per Module	1.32W-1.8W per Moudle
Control Mode	DMX512
Power Supply Loading	68-50 modules per 100W
Installation	Al. groove
L70 Lifetime @ 60° C	50,000 hours
Ingress Protection	IP66
Operating Temperature	-40° — +60° C
Warranty	2 Year Limited Warranty

LUMINOUS INTENSITY DISTRIBUTION

Batwing Beam Pattern (beam angle: 120°)



COLOR TEMPERATURE SCALE



DIMENSIONS

