



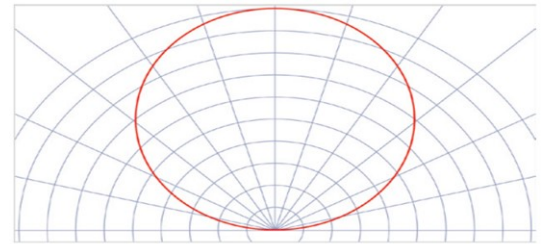
FRM White modules are premium brightness changing signage modules engineered for constant current so there is no lumen drop across the full length of any string. The FRM White modules are available in different CCT, enabling a wide variety of applications for nuanced indoor and outdoor signage and accent lighting. At the same time, The FRM White is ideal for outdoor media applications, where it can be integrated seamlessly into the facade, or it can be installed to float in the air with our highly transparent mounting options. Use DMX controls to tune brightness. Insulation Displacement Connection is adopted to reduce the voltage drop of long-distance supply. FRM Series modules are rated IP66 and come with a 2-year warranty.

## APPLICATIONS

- Channel letter
- Box signs
- Cove and Accent lighting

## LUMINOUS INTENSITY DISTRIBUTION

Batwing Beam Pattern (beam angle: 120°)



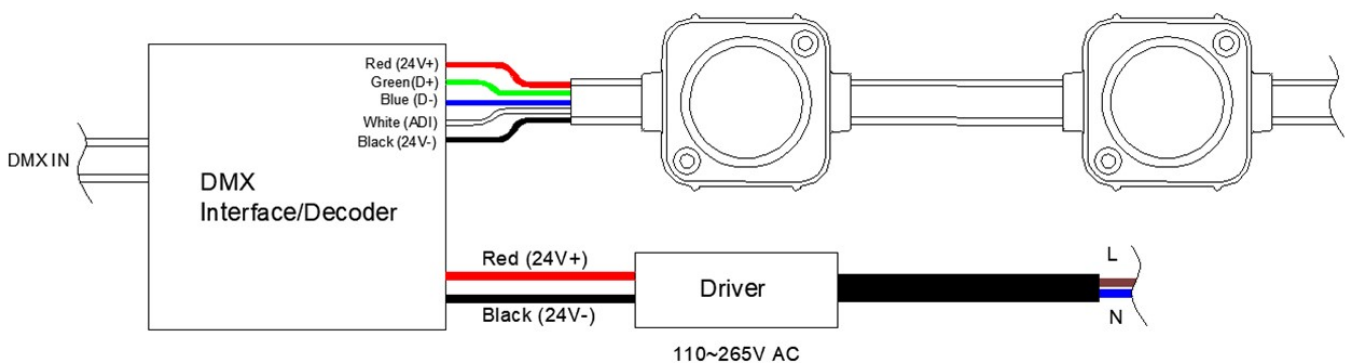
## ORDERING GUIDE

Part Number	White color Temp.	Color rendering index	Module Spacing (mm)	Number of Modules		Nominal Light Output (lm)*		
				Per Foot	Per Meter	Per Module	Per Foot	Per Meter
FRM-W-71K	7100K	≥80	120	2.5	8.3	115	287.5	954.5
FRM-W-65K	6500K	≥80	120	2.5	8.3	110	275	913
FRM-W-57K	5700K	≥80	120	2.5	8.3	105	262.5	871.5
FRM-W-50K	5000K	≥80	120	2.5	8.3	105	262.5	871.5
FRM-W-45K	4500K	≥80	120	2.5	8.3	102	255	846.6
FRM-W-40K	4000K	≥80	120	2.5	8.3	102	255	846.6
FRM-W-30K	3000K	≥80	120	2.5	8.3	98	245	813.4
FRM-W-27K	2700K	≥80	120	2.5	8.3	93	232.5	771.9

## PRODUCT RATINGS

Luminous Efficacy	110 lm/W @6500K	Operating Temperature	-40° — +60° C
Wattage per Module	1.32 W	L70 Lifetime @ 60° C	50,000 Hours
Input Voltage	24 VDC	Warranty	2 Year Limited Warranty
Input Current	55 mA per module	Control	DMX512
Power Supply Loading	68 modules per 100W	Number of Pixel	50 pixels / Strip (1 Pixel per module)
Ingress Protection	IP66	Addressing Options	Auto-Addressing

## WIRING DIAGRAM



**SHIPPING INFORMATION**

Module Type	Packaging Quantity		Carton Dimensions			Gross Weight	Net Weight
	Per Strip	Per Carton					
-FRM-W-xxK	50Modules	200Modules	W	D	H	5.67KG	5.2KG
	20FT	80FT	19.7 inch	9.1 inch	6.7 inch		
	6.1m	24.4m	500mm	230mm	170mm		

**LAYOUT GUIDE\***

Channel Depth (in.)	Single Row		Multiple Rows		Channel Depth (mm)	Single Row		Multiple Rows	
	Max. Stroke	Module Spacing	Row Spacing	Module Spacing		Max. Stroke	Module Spacing	Row Spacing	Module Spacing
4	11	4	10	4	100	275	100	100	100
5	14	4	10	4	125	350	100	100	100
6	14	5	10	5	150	350	125	100	125
7	14	5	10	5	175	350	125	100	125
≥7	14	5	10	5	≥200	350	125	100	125

\*Density guide designed to maintain a minimum of 600 lux for a single row or 800 lux for multiple rows at sign face .

**POWER SUPPLY LOADING**

FRM-W-xxK					
Power Supply	18AWG/0.82 mm <sup>2</sup> supply wire Max. # of Modules Per Continuous String	16AWG/1.31 mm <sup>2</sup> supply wire Max. # of Modules Per Continuous String	14AWG/2.08 mm <sup>2</sup> supply wire Max. # of Modules Per Continuous String	12AWG/3.31 mm <sup>2</sup> supply wire Max. # of Modules Per Continuous String	
Maximum Supply Wire Limits	18W	12Pcs ( 1.5m )	/	/	
	35W	24Pcs ( 2.9m )	/	/	
	60W	40Pcs ( 4.8m )	/	/	
	75W	50Pcs ( 6.1m )	/	/	
	100W	50Pcs ( 6.1m )	63Pcs ( 7.6m )	/	/
	150W	50Pcs ( 6.1m )	63Pcs ( 7.6m )	88Pcs ( 10.6m )	/
	200W	50Pcs ( 6.1m )	63Pcs ( 7.6m )	88Pcs ( 10.6m )	100Pcs ( 12.1m )
	240W	50Pcs ( 6.1m )	63Pcs ( 7.6m )	88Pcs ( 10.6m )	100Pcs ( 12.1m )
	300W	50Pcs ( 6.1m )	63Pcs ( 7.6m )	88Pcs ( 10.6m )	100Pcs ( 12.1m )

Note 1. The number of modules in each of the parallel strings should not exceed the specified maximum.

2. \*3 – 300 Watt Channels

**DIMENSIONS**

