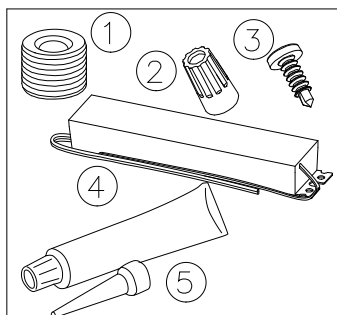




Components



- 1) 3x1.5mm² Power Cable
- 2) Wire connectors
- 3) #6 (M3) screws
- 4) 24V Power Supply
- 5) Electronic grade silicone



BEFORE YOU BEGIN

Read these instructions completely and carefully.



WARNING

RISK OF ELECTRIC SHOCK

Turn power off before inspection, installation or removal.

Properly ground power supply enclosure.

RISK OF FIRE

Use only UL certified wire for input/output connections. Minimum size 16 AWG (1.5mm²).

Follow all NEC and local codes.

Prepare Electrical Wiring



Electrical Requirements

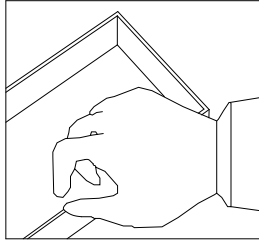
- Limited to use in dry and damp locations.
- The grounding and bonding of the LED Driver shall be done in accordance with National Electric Code (NEC) .
- Follow all National Electric Codes (NEC) and local codes.

Layout Recommendations

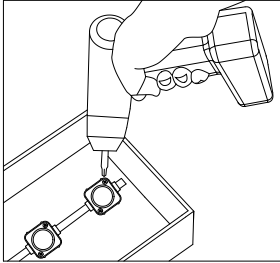
Channel Depth (in.)	Single Row		Multiple Rows		Channel Depth (mm)	Single Row		Multiple Rows	
	Max. Stroke	Module Spacing	Row Spacing	Module Spacing		Max. Stroke	Module Spacing	Row Spacing	Module Spacing
4	11	4	10	4	100	275	100	100	100
5	14	4	10	4	125	350	100	100	100
6	14	5	10	5	150	350	125	100	125
7	14	5	10	5	175	350	125	100	125
≥7	14	5	10	5	≥200	350	125	100	125

*Density guide designed to maintain a minimum of 600 lux for a single row or 800 lux for multiple rows at sign face .

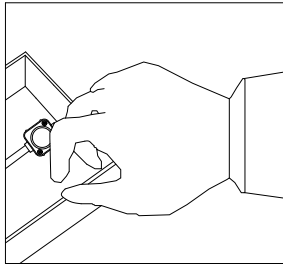
Layout Modules



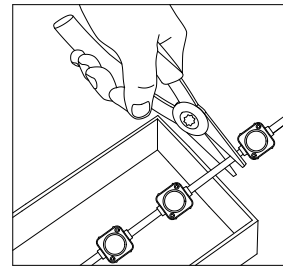
- 1 Clean & remove all debris from the inside of the Light box before you begin.



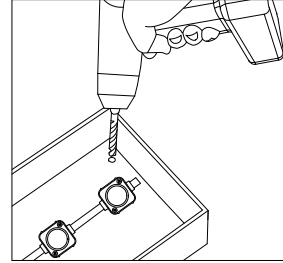
- 3 Use screws to secure at every FRM LED module within the Light box. Use #6 (M3) pan headed metal screws.



- 3 Clean & remove all debris from the inside of the Light box.

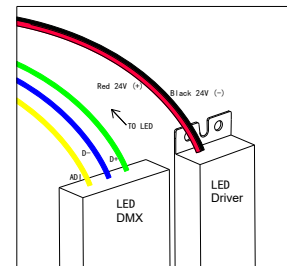
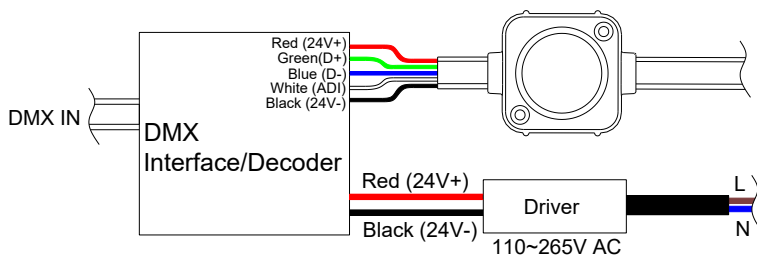


- 2 Measure and cut FRM LED strip to the appropriate length for each Light box . Cuts can be made between any of the modules.

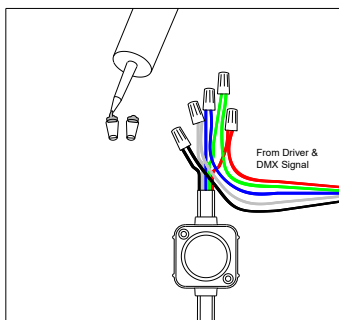


- 4 Drill a 10 mm hole near the FRM LED strip and grommet the hole for supply wire access.

Electrical Connections



- 1 Wiring Diagram

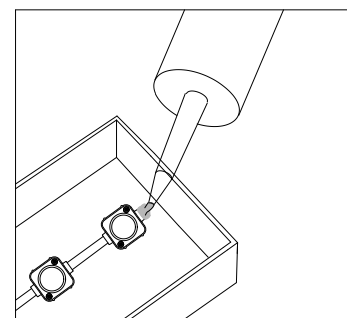


- 3 Connection follow wiring diagram instructions. Connect LED strips using twist-on wire connectors.

NOTE: All electrical connections should be made within the Light box.

- 2 Run a wire from the Power Supply and DMX Decoder to each Light box and connect to the first LED module on the strip.

Must be used with **24 Volt Power Supplies.**



- 4 Must apply electrical grade silicone to exposed wires.